

MY
MODERN GARDEN®



MY
MODERN GARDEN®

Garden furniture and SPA containers are manufactured by our company in Poland.

We specialize in steel, wood and glass, having 30 years of experience.

Over this time our company has been exporting our products to 27 countries.

We work with a diverse range of partners, from individual customers to chains of stores.

We create furniture in a modern style.

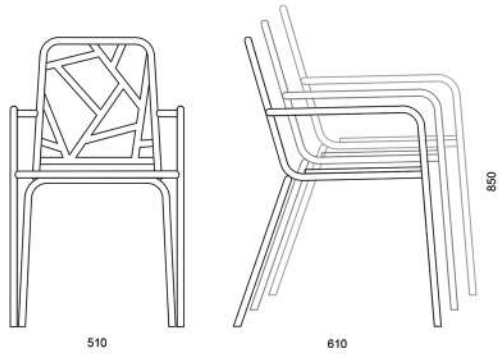
We are recognized by the European Union Intellectual Property Office.

My Modern Garden is designed for living
but also for public spaces, including hotels or restaurants.

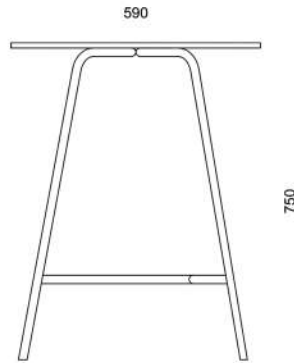
MY
MODERN GARDEN[®]



G001
garden chair



G002
garden table



weight 9 kg
stackable ✓

11 kg

milled laminate plate



scandinave
frêne



rustic
oak

powder coated steel



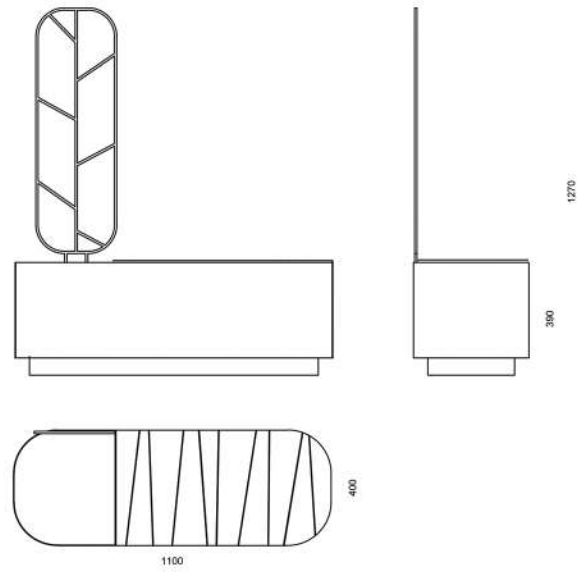
chair G001
table G002





flowerbed
bench G003

G003
flowerbed/bench



weight 38 kg

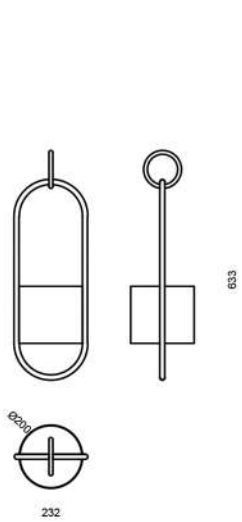
milled laminate plate



powder coated steel

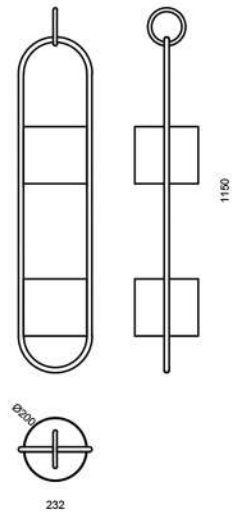


G004
hanging flowerbed



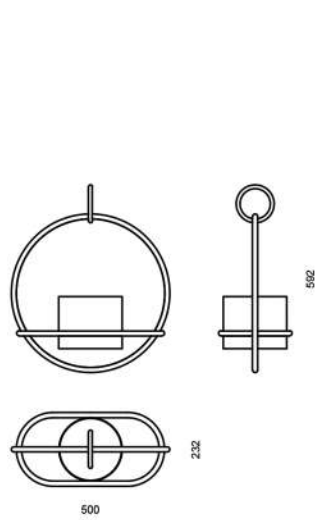
weight 3.5kg

G005
hanging flowerbed



6 kg

G006
hanging flowerbed



4 kg

powder coated steel



hanging flowerbed G004

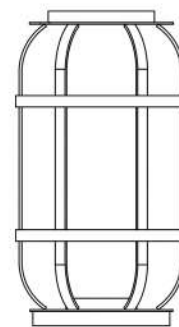
hanging flowerbed G006

hanging flowerbed G005

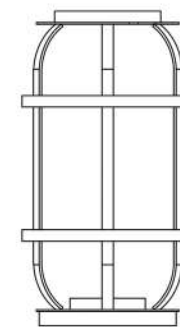


lantern
G007

G007
lantern



300



550

300

weight 9 kg

powder coated steel



milled laminate plate



scandinave
frêne



rustic
oak

Compact laminate is a thick laminate panel with two decorative sides that requires no edging. It is perfectly suited to heavy use environments. The touch finish is anti-fingerprint, its surface is highly resistant to impact and scratches. Antibacterial, quick, and easy to clean (non-porous surface).

powder coated steel



Classification standard: EN 10130. CE marking.
Chemical composition AVG: C 0,06%, Mn 0,28%, Si 0,02%, P 0,014%, S 0,019%.
Mechanical properties AVG: Re 209 MPa, Rm 339 MPa, A80 39,4 %.

A mixture of synthetic resins and pigments. Mixtures classified as not dangerous to natural environment. (EC) No 1272/2008.

Powder coating significantly protects the product from corrosion, although it does not eliminate the risk of its occurrence over time.

Mild detergent may be used only. Do not use chlorine or harsh cleaning solutions. Soft cloth and warm (filtered) water are recommended.

My Modern Garden
by Komet Sp. z o.o.
ul. Dworcowa 6
62-035 Runowo, Poland



mymoderngarden.eu

